



# Light Module Ø 120 Cm Lunaop

4000K

Emiliana Martinelli

colors



Typology           Pendant  
Utilisation        Indoor

24V 108.5 W 10179 lm



diffuse light

Hanging lamp, diameter 120cm, diffused light, coated aluminum structure in various finishes.  
White frost methacrylate diffuser.

The structure needs to be connected to the ceiling through the canopy, both for the single version and for the version composed by more than one Lunaop. LED light source integrated, 4000K, 3000K or 2700K.

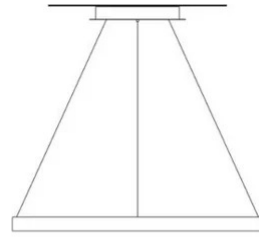
Canopy to be ordered separately available in accessories.

Award



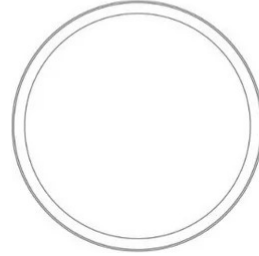


Family	Light module Ø 120 cm Lunaop
Typology	Pendant
Utilisation	Indoor



### Dimensions

Height	6,5 cm
Diameter	120 cm
Power supply cable length	400 cm
Weight	4 Kg

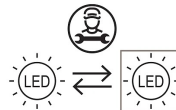


### Materials

Structure	aluminium	Diffuser	methacrylate 040
-----------	-----------	----------	------------------

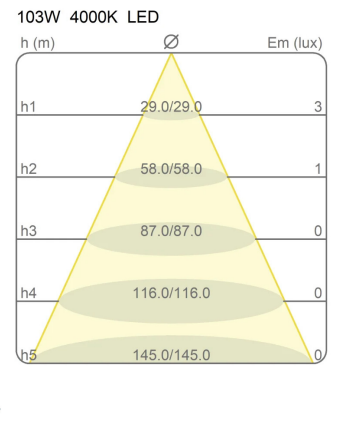
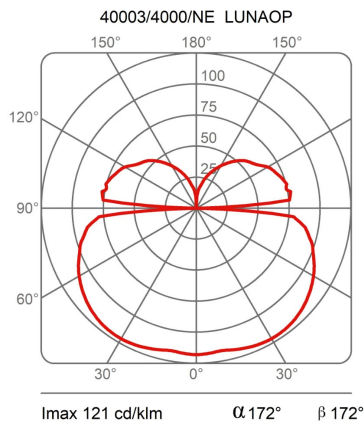
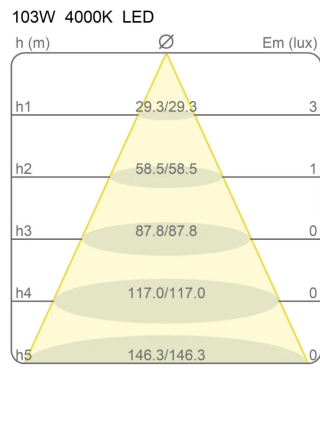
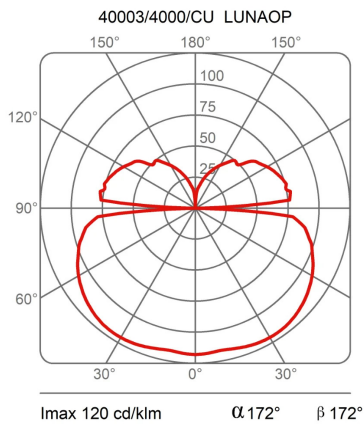
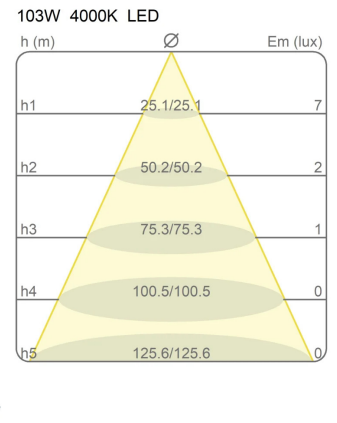
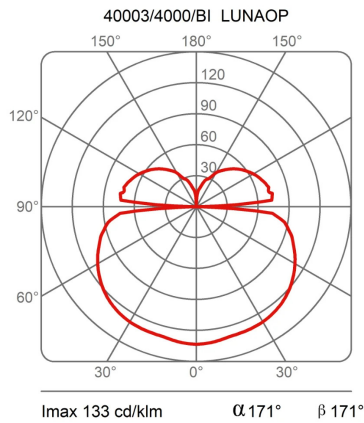
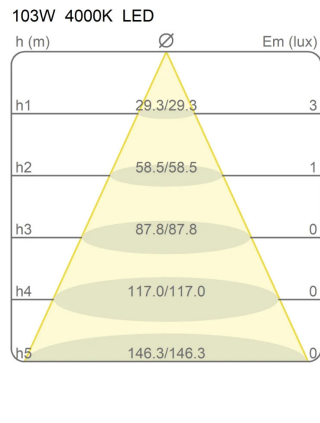
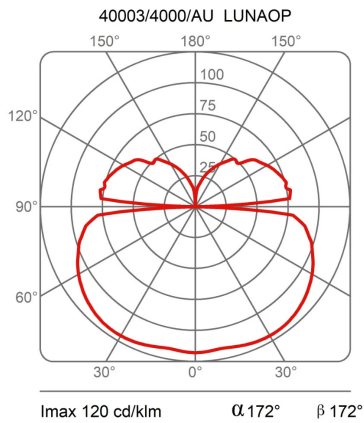
Voltage	24V	Watt	108.5 W
Power unit	Excluded	Lumen	10179 lm
Mounting Power Supply	External	CRI	>80
		CCT	4000 K
		Energy class	F

### Certifications





## Photometric curves



## Colour variant code



40003/4000/BI

White



40003/4000/NE

Black



40003/4000/AU

Pearl Gold

40003/4000/BM

Bronze  
Textured

40003/4000/OV

Vintage  
Brass